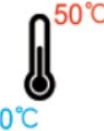




Modbus LoRa Digital Input SLAI 140



Features

Plug and play

- > Easy to set up
- > 0-10V 2ch 4-20mA analog in put
- > Simple construction maintenance and operation
- > Instant return (NO waiting time)
- > Indoor/Outdoor models are complete
- > Complete indoor and outdoor antenna available

Specification

Communication technology :

LoRa 862~932 MHz pass through mode or Modbus. (non-LoRa WAN protocol)

Transmission mode :

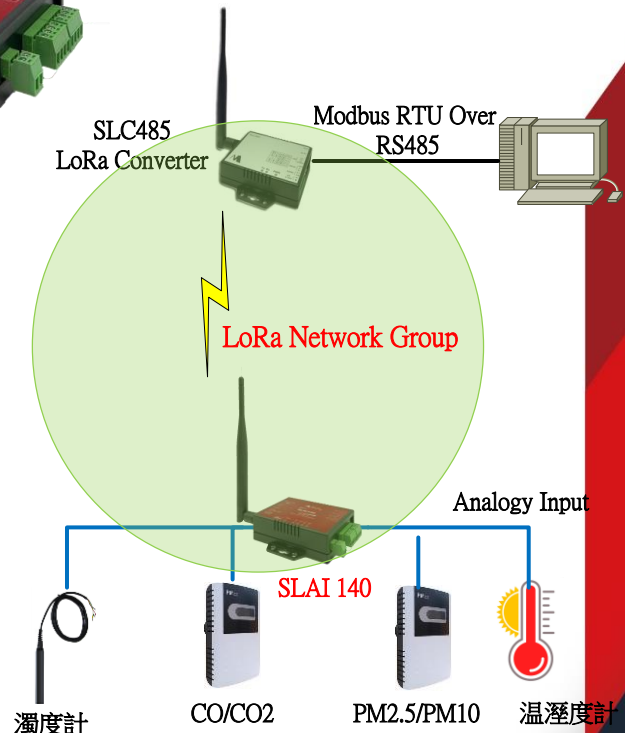
Multi-end points form a broadcast network according to the frequency band, and only one end point can send signals at a time (similar to the traditional Walkie-talkie design), only suitable for one Master+n Slaves applications.

Communication Flow :

Maximum load 255 bytes per packet data.



Application



LoRa Main Chip

LoRa Transmission : Semtech SX1272

Soc : Cortex®-M0

Memory: Flash 128K

Frequency: 862~932MHz

Frequency Accuracy: ± 10 KHz

Modulation: LoRa

Transmit Power: 2~+20dBm

Data Rate: 0.244~18.2Kbps(LoRa)

High Sensitivity: down to -137dBm

Communication Distance: 2~5Km

Antenna Impedance: 50ohm

Analong Main Chip

CPU : 8-bit CPU

RAM : 64K bytes SRAM

ROM : 256K bytes Flash ROM

Memory: Flash 128K

4~20 mA * 2 Channels

0~50V * 2 Channels

16 bits resolution

Power Source

Supply Voltage: +9~24VDC

Terminal Block

Power Consumption

Standby: 12V, 6.97mA

24V, 4.03mA

Transmission: 2V,41.95mA

24V,21.73mA

Environment

Operating Temperature: -

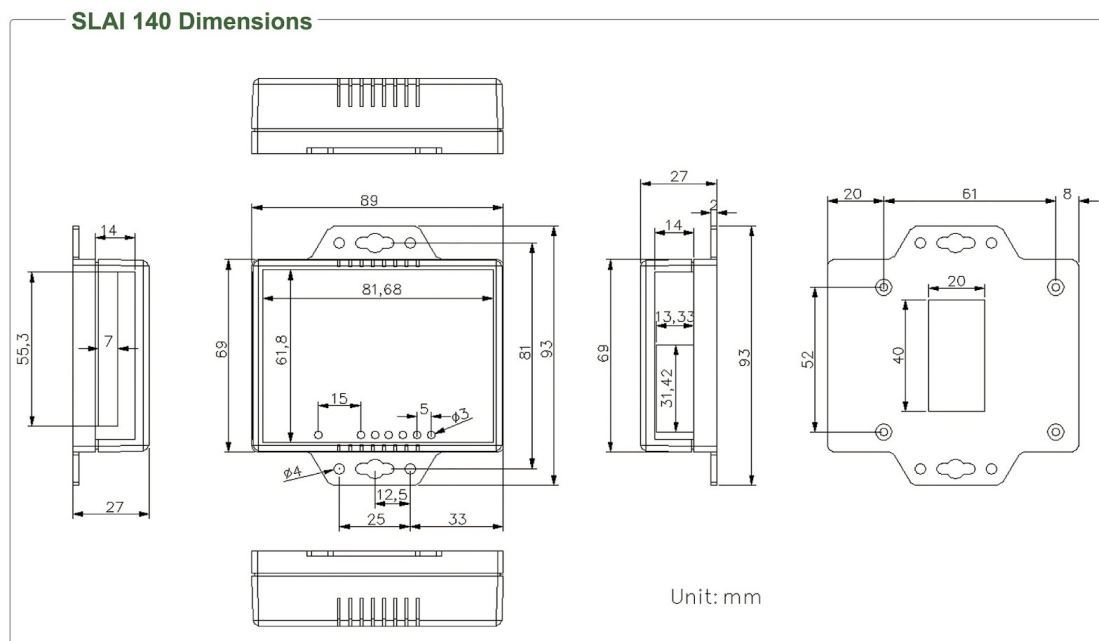
10°C~60°C

Mechanism

Dimensions: W*H*D: 27*89*68

(mm)

Weight: 100 \pm 5g



0975-365-352



jerrypeng@maxlong.com.tw

