



Anemo Meter MAN16S

It can measure the direction value of indoor and outdoor ambient wind, Convert physical signals to electrical signals. Any direction, with a resolution of 0.1° , can be widely used in construction machinery (cranes, crawler cranes, gantry cranes, tower cranes, etc.) Wind direction measurement in fields such as energy conservation monitoring, agriculture, medical care, and clean space.



Features

1. Small size design, high measurement accuracy and fast response speed.
2. Flange installation method can realize bottom outlet, side outlet, easy and convenient.
3. The power supply has a wide range of adaptation, good data and information linearity, and long signal transmission distance.
4. The shell is made of polycarbonate composite material, which has good anti-corrosion and anti-corrosion.
5. With wind direction angle and wind direction two parameters, data Totally reliable.
6. High data transmission efficiency and reliable performance.

Specifications

Measuring range: $0\sim 360^\circ$

Accuracy: $\pm 1^\circ$ Resolution: 0.1°

Start wind speed: $\leq 0.5\text{m/s}$

Maximum turning radius: 100mm

Output signal:

A: Voltage signal ($0\sim 2\text{V}$, $0\sim 5\text{V}$,
 $0\sim 10\text{V}$ Choose one of the three)

B: $4\sim 20\text{mA}$ (current loop)

C: RS485 (standard Modbus-RTU protocol)

Supply voltage: $5\sim 24\text{V DC}$ (when the output
signal is $0\sim 2\text{V}$, RS485)

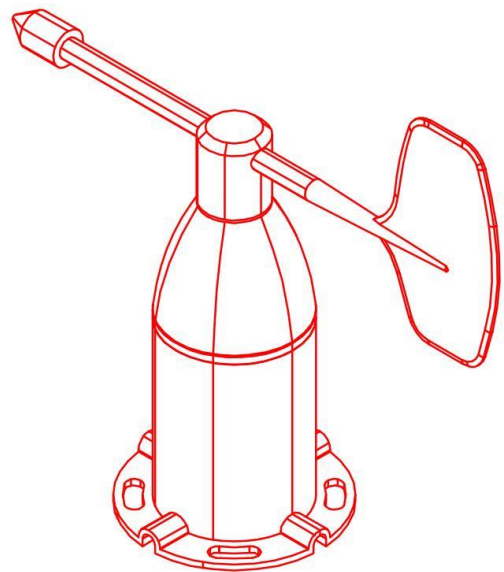
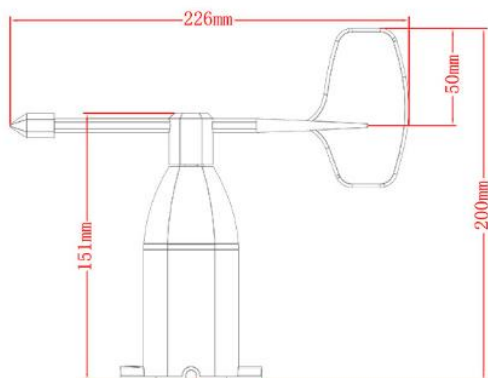
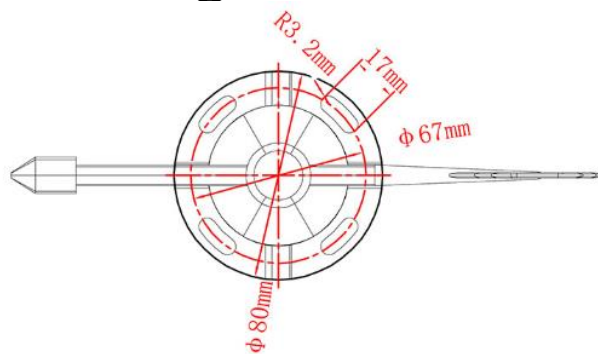
$12\sim 24\text{V DC}$ (when the output signal is
 $0\sim 5\text{V}$, $0\sim 10\text{V}$, $4\sim 20\text{mA}$)

Operating environment:

Temperature: $-30\sim 70^\circ\text{C}$;

Humidity: $< 100\%RH$

IP rating: IP65



0975-365-352



jerrypeng@maxlong.com.tw



30271新竹縣竹北市嘉豐七街139號9樓

