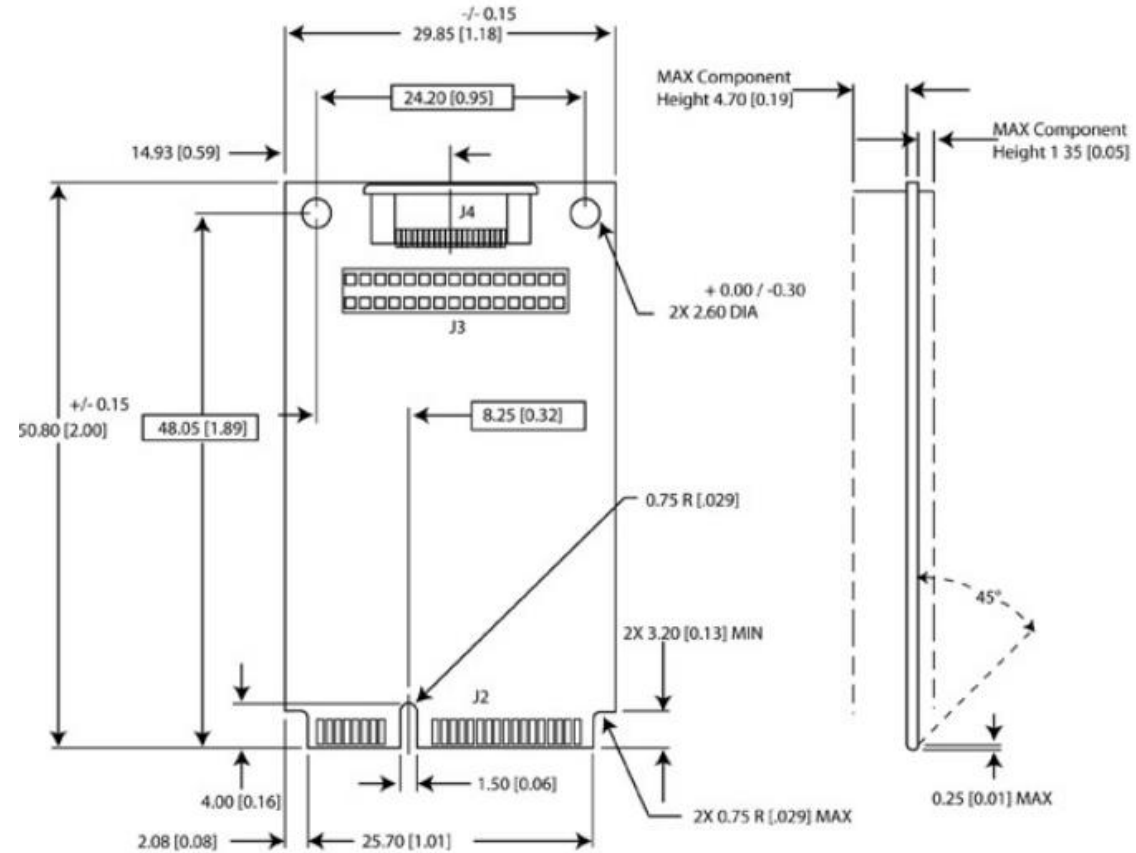


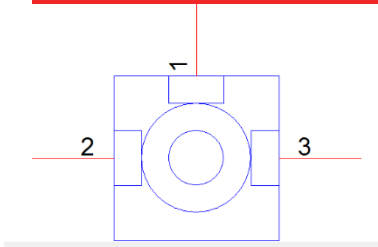


Mini PCIe size

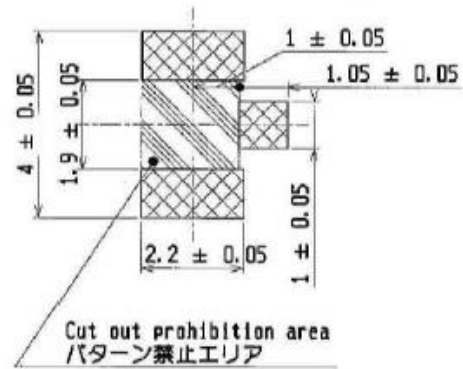
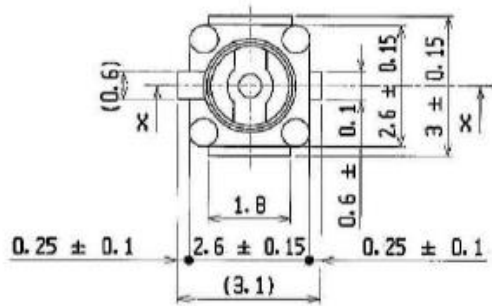
Transceiver	SX1276
MCU	AcSiP STM32L073xZ
Operating supply voltage	3.3V
Frequency	EU868/US915 MHz
Band Width	62.5~500KHz
Modulation	LoRa/GFSK/FSK/OOK/MSK/GMSK
Transmit power	+20dBm max.
Sensitivity	Down to -137dBm
Data rate	300Kbps(FSK)
Communication distance	10Km
Antenna impedance	50Ω
Operating temperature	-40°C ~ +85°C
Storage temperature range	-50°C ~ +105°C
Dimension	50.80mm×29.85mm×6.30mm



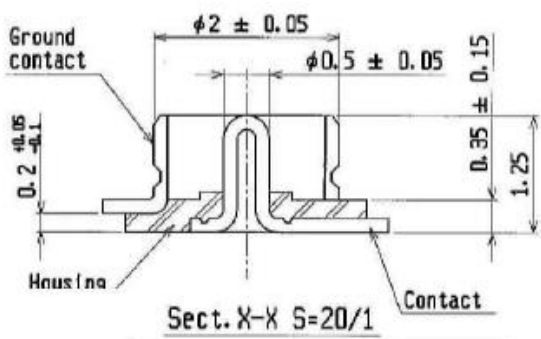
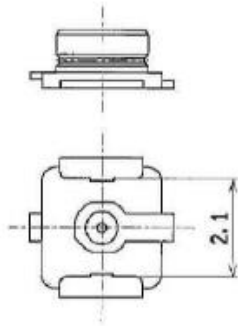
IPEX Connector



PIN	Definition
1	RF_IN
2	GND
3	GND



RECOMMENDED FOOTPRINT PATTERN



Pinout

PIN#	PIN NAME	PIN#	PIN NAME
1	N/A	27	N/A
2	3.3V	28	N/A
3	N/A	29	N/A
4	GND	30	N/A
5	N/A	31	N/A
6	N/A	32	N/A
7	N/A	33	N/A
8	N/A	34	GND
9	GND	35	GND
10	N/A	36	SUBD-
11	UART_RX(選)	37	GND
12	N/A	38	SUBD+
13	ART_RX(選)	39	3.3V
14	N/A	40	N/A
15	GND	41	3.3V
16	N/A	42	N/A
17	N/A	43	GND
18	GND	44	N/A
19	N/A	45	N/A
20	Cfg	46	N/A
21	GND	47	N/A
22	RESET(選)	48	N/A
23	N/A	49	N/A
24	3.3V	50	GND
25	N/A	51	N/A
26	GND	52	3.3V